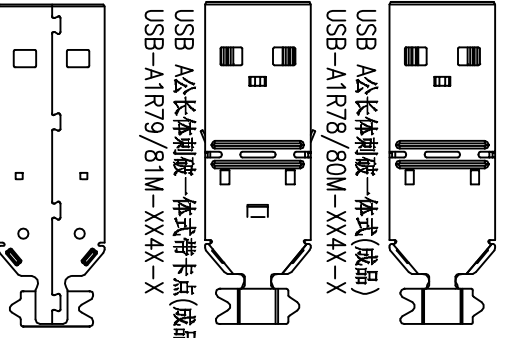
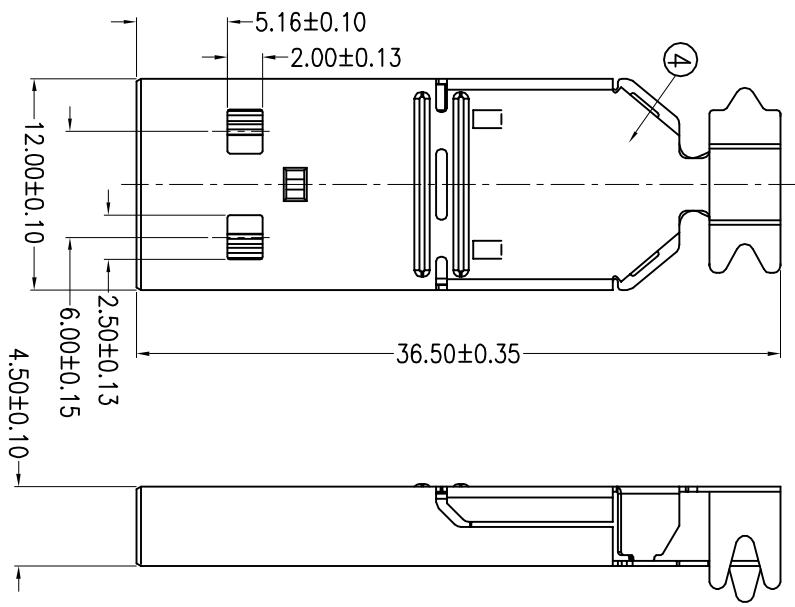
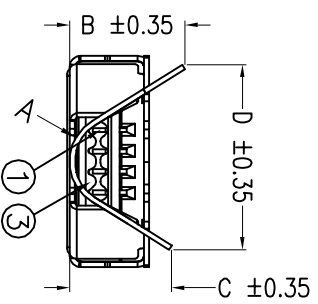


list 1

manufactured goods		semi-manufactured goods		shell	
P/N	spec	P/N	spec	P/N	spec
USB-A1R80M-XX4X-X	USB A公刺破一体式(成品)	USB-A1R12M-XX4-X	USB-A公刺破一体式半成品	S-UIMXX06	USB A/M 刺破式外壳OD:4.0
USB-A1R78M-XX4X-X	USB A公刺破一体式(成品)	USB-A1R12M-XX4-X	USB-A公刺破一体式半成品	S-UIMXX94	USB A/M 刺破式外壳OD:5.0
USB-A1R81M-XX4X-X	USB A公刺破一体式带卡点(成品)	USB-A1R12M-XX4-X	USB-A公刺破一体式半成品	S-UIMXX41	USB A/M 刺破式外壳OD:4.0(带卡点)
USB-A1R90M-XX4X-X	USB A公刺破一体式两面加孔(成品)	USB-A1R61M-XX4-X	USB-A公刺破一体式半成品	S-UIMXX30	USB A/M 刺破式外壳OD:4.0(两面加孔)
USB-A1R79M-XX4X-X	USB A公刺破一体式带卡点(成品)	USB-A1R12M-XX4-X	USB-A公刺破一体式半成品	S-UIMXX66	USB A/M 刺破式外壳OD:4.5(带卡点)
USB-A1R188M-XX4X-X	USB A公刺破一体式两面加孔(成品)	USB-A1R12M-XX4-X	USB-A公刺破一体式半成品	S-UIMXX133	USB A/M 刺破式外壳OD:3.0(两面加孔)
10300504A113	USB A公长体刺破一体式成品	29103000936	PBT白色无卤后盖 FUJ22403S00187	USB A/M 刺破式外壳OD:5.0 镀镍	
10300504A114	USB A公长体刺破一体式成品	29103000942	PBT白色无卤后盖 PBT蓝色无卤后盖 FUJ22403S00187	USB A/M 刺破式外壳OD:5.0 镀镍	

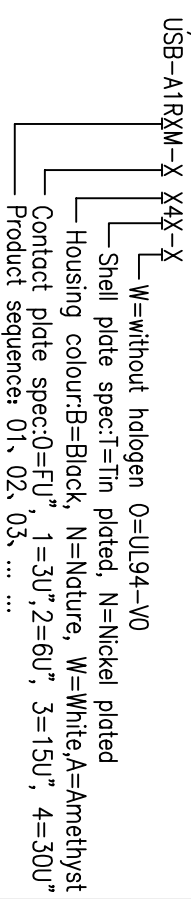


Specification

1. Voltage Rating: 30V AC
2. Current Rating: 1.5AMP.
3. Insulation Resistance: 1000MΩ Min.
4. Contact Resistance: 30mΩ Max.
5. Dielectric Withstanding Voltage: 500V AC
6. Temperature Range: -20°C to +60°C

list 2

(A)	(B)	(C)	(D)
0D:4.0	7.20	6.90	6.00
0D:4.5	7.20	6.90	9.10
0D:5.0	8.40	7.70	10.10
0D:3.0	5.20	5.20	6.00



NO.	P/N	VARIETY	MATERIAL	QT,Y	REMARK
4	See list 1	Shell	SPCC	1	T=0.30
3	See list 1	Back-stopple	P.B.T	1	
2		Housing	P.B.T	1	
1		Terminal	C2680	1	T=0.25

CZT[®] DONGGUAN ZHENGDE (YIHUA) CONNECTOR CO., LTD

CUSTOMER DRAWING	REV.	APPD.	D/N:	M/N:
X±0.38	X±4			
X±0.25	X±2			
XX±0.20	XX			
XXX±0.10	XX			
SCALE: 1:1	CHKD:		SHEET: 1/1	P/N: USB-A1R9M-XX4X-X
B-3			D/N: 1004-0078	M/N:

See list 1