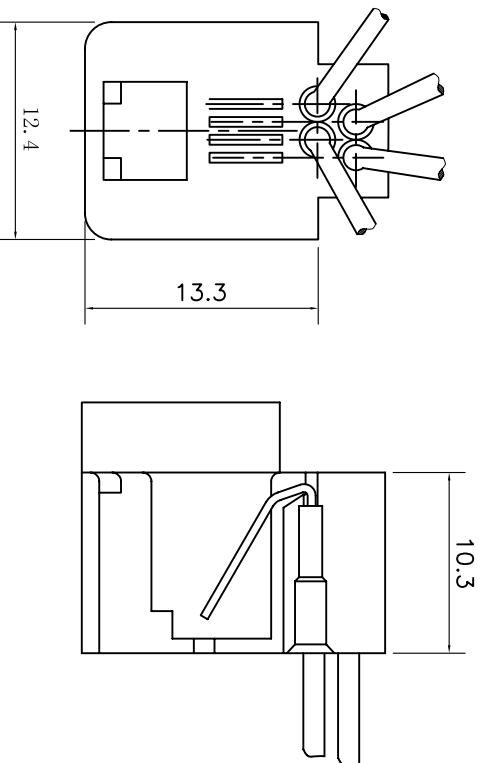
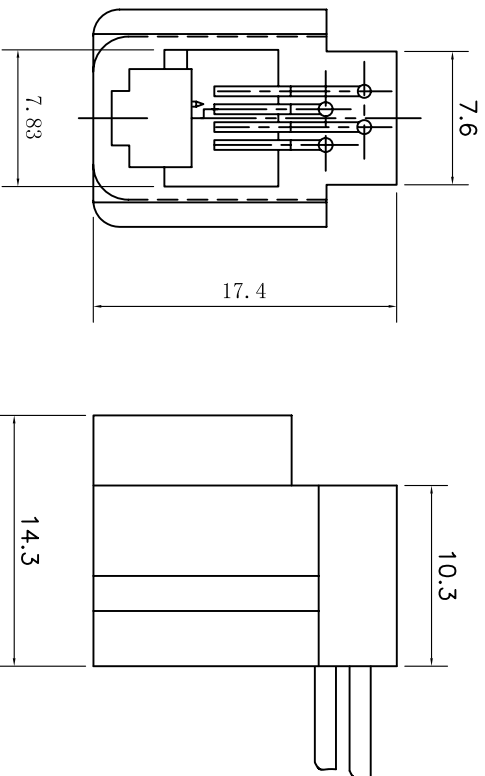


REV.	ECN NO.	DATE



SPECIFICATION NOTES:

ELECTRICAL:

- VOLTAGE RATING: 125 VAC RMS
- CURRENT RATING: 1.5 AMP
- CONTACT RESISTANCE: 30mΩ MAX.
- INSULATION RESISTANCE: 1000MΩ MIN. AT 500V DC.
- DIELECTRIC STRENGTH: 1000 V AC OR 1500V DC RMS AT 0.5ma 50 Hz / 60 Hz FOR 1 MINUTE

MECHANICAL:

- HOUSING: ABS
 - CONTACT MATERIAL: DIA. PHOSPHOR BRONZE $\phi=0.46\text{MM}$
 - PLATING: GOLD PLATING AT CONTACT AREA, NICKEL 30U MIN. OVER ALL
 - OPERATING LIFE: 750 CYCLES MIN.
 - MATING/UNMATING FORCE: 30N/3.06KG MAX.
 - RETENTION STRENGTH: 50N MIN. FOR 60S±5S
- ENVIRONMENTAL:
- STORAGE: 0°C TO +70°C RELATIVE HUMIDITY < 80%
 - GUARANTEE PERIOD: 6 MONTHS
 - OPERATION: 0°C TO +70°C

ROHS COMPLIANT		TOLERANCES		Material:	Designed:	NAME:	616M1
 THIRD ANGLE PROJECTION	 CZT®	温州意华接插件股份有限公司		Finish:	Checked:	DWG NO.	REV.
		WENZHOU YIHUA CONNECTOR CO., LTD					
SCALE	UNIT	CUSTOMER:	MODEL NO.:				
A4	mm	N/A	N/A				
1:1	mm	N/A	N/A				
		ANGLES: ±1°					

1

2

3

4