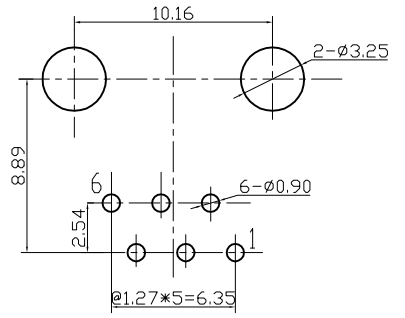
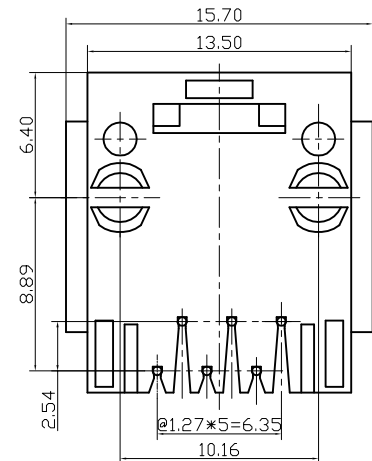
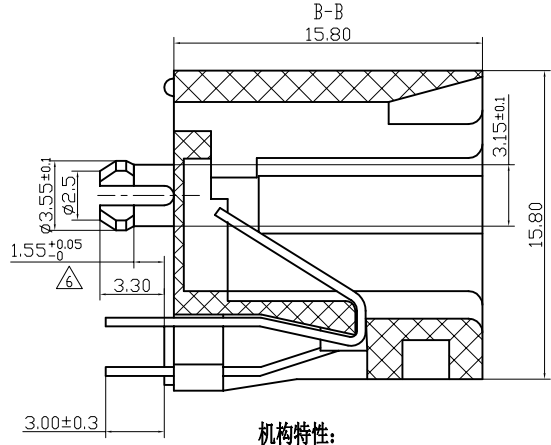
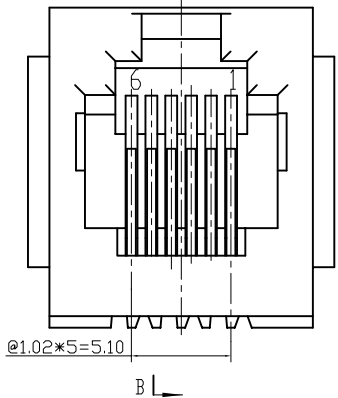


A

B

C

D



PCB LAYOUT COMPONENT SIDE
TOLERANCES ± 0.05 Thickness=1.6mm

气特性:

1. 额定电压: 150 VAC RMS
2. 额定电流: 1.5 AMPS@25° C
3. 接触电阻: 20mΩ MAX.
4. 绝缘电阻: 1000 MΩ MIN. @500VDC
5. 耐压强度: 1000 VAC RMS, contact to contact 或 1500VDC, contact to screen and test panel @0.5mA 50Hz 或 60Hz 1 分钟.

机构特性:

1. 塑壳材质: PBT/PA66/PA46, UL94V-0;
2. 圆针材质: 磷青铜, Ø. 46mm;
3. 圆针电镀: 镍底, 表面全部镀金;
4. 插入/拔出力: 30N Max.
5. 配合强度: 50N for 60s±5s.
6. 使用寿命: 最少750次插拔.

环境特性:

1. 储存温度: -40°C~+85°C相对湿度<80%.
2. 工作温度: -40°C~+85°C

ENVIRONMENTAL:

1. STORAGE TEMPERATURE : -40°C~+85°C RELATIVE HUMIDITY<80%
2. OPERATION TEMPERATURE : -40°C~+85°C

MATES WITH MODULAR PLUG CONFORMING TO FCC PART 68, SUBPART F.
ROHS PART NUMBER:

NOTES:

ELECTRICAL:

1. VOLTAGE RATING : 150 VAC RMS.
2. CURRENT RATING : 1.5 AMPS@25° C
3. CONTACT RESISTANCE : 20 mΩ MAX.
4. INSULATION RESISTANCE : 1000 MΩ MIN @500VDC.
5. WITHSTAND VOLTAGE : 1000 VAC RMS, contact to contact or 1500VDC, contact to screen and test panel @0.5mA 50Hz or 60Hz 1 min.

MECHANICAL:

1. HOUSING MATERIAL : PBT/PA66/PA46 UL94V-0.
2. CONTACT MATERIAL : PHOSPHOR BRONZE Ø. 46mm.
3. CONTACT PLATING : GOLD PLATING OVER NICKEL.
4. MATING/UNMATING FORCE: : 30N Max..
5. RETENTION STRENGTH : 50N for 60s±5s.
6. DURABILITY : 750 CYCLES MIN.

TIP TOP	P/N 料号	DESCRIPTION 描述	MATERIAL COLOR 材质
△1	B522N-6606-M009	RJ11 5222 6P6C WITH EAR WITH SPLIT PEG W/O GRID//5222插座 6P6C 6U (有耳香菇脚无网)	PBT BLACK 黑
△2	B522N-666F-M009	RJ11 5222 6P6C WITH EAR WITH SPLIT PEG W/O GRID//5222插座 6P6C G/F (有耳香菇脚无网)	PBT BLACK 黑
△3	B522N-666F-U004	RJ11 5222 6P6C WITH EAR WITH SPLIT PEG W/O GRID//5222插座 6P6C G/F (有耳香菇脚无网)	PA66 BLACK 黑
△4	B522N-6203-M005	RJ11 5222 6P2C (34) WITH EAR WITH SPLIT PEG W/O GRID//5222插座 6P2C 3U (有耳香菇脚无网)	PBT BLACK 黑
△5	B522N-6203-M005	RJ11 5222 6P2C (34) WITH EAR WITH SPLIT PEG W/O GRID//5222插座 6P2C G/F (有耳香菇脚无网)	PBT BLACK 黑
△6	B522N-6403-M006	RJ11 5222 6P4C (2345) WITH EAR WITH SPLIT PEG W/O GRID//5222插座 6P4C 3U (有耳香菇脚无网)	PBT BLACK 黑
△7	B522N-622F-M030	RJ11 5222 6P2C (1.6) WITH EAR WITH SPLIT PEG W/O GRID//5222插座 6P2C G/F (有耳香菇脚无网 16位)	PBT BLACK 黑
△8	B522N-646F-M006	RJ11 5222 6P4C (2345) WITH EAR WITH SPLIT PEG W/O GRID//5222插座 6P4C G/F (有耳香菇脚无网)	PBT BLACK 黑
△9	B522N-6606-U004	RJ11 5222 6P6C WITH EAR WITH SPLIT PEG W/O GRID//5222插座 6P6C 6U (有耳香菇脚无网)	PA66 BLACK 黑
△10	B522N-6406-U003	RJ11 5222 6P4C (2345) WITH EAR WITH SPLIT PEG W/O GRID//5222插座 6P4C 6U (有耳香菇脚无网)	PA66 BLACK 黑
△11	B522N-6230-R002	RJ11 5222 6P2C (34) WITH EAR WITH SPLIT PEG W/O GRID//5222插座 6P2C 钯金30U (有耳香菇脚无网)	PA46 BLACK 黑
△12	B522N-622F-M008	RJ11 5222 6P2C (34) WITH EAR WITH SPLIT PEG W/O GRID//5222插座 6P2C G/F (有耳香菇脚无网)	PBT GRAY 灰
△13	B522N-646F-M006	RJ11 5222 6P4C (2345) WITH EAR WITH SPLIT PEG W/O GRID//5222插座 6P4C G/F (有耳香菇脚无网)	PBT BLACK 黑
△14	B522N-666F-M014	RJ11 5222 6P6C WITH EAR WITH SPLIT PEG W/O GRID//5222插座 6P6C G/F (有耳香菇脚无网)	PBT GRAY 灰

RoHS Compliant

CZT® 温州意华接插件股份有限公司
WENZHOU YIHUA CONNECTOR CO., LTD

TOLERANCES 公差

00~15 ± 0.15
15~30 ± 0.20
30~ ± 0.25
ANGLES ±1°

Material: 材质	SEE_NOTE
Finish: 电镀	SEE_NOTE
SHEET 1 OF 1 第 1 页 共 1 页	

Designed: 设计	陈智艳
Checked: 审核	
Approved: 核准	

NAME: 名称	5222插座6P有耳香菇脚无网
DWG NO: 图号	E52QWY-1006-9
PART NO: 料号	SEE TABLE

REV. 版本	09
---------	----

1

2

3

4

A

B

C

D