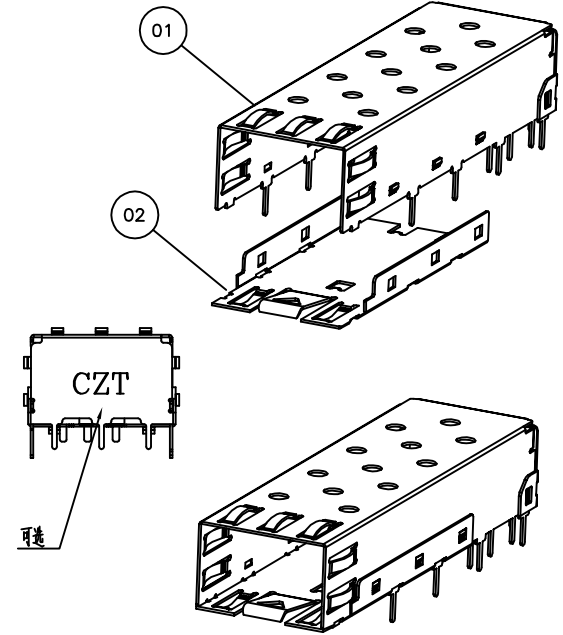
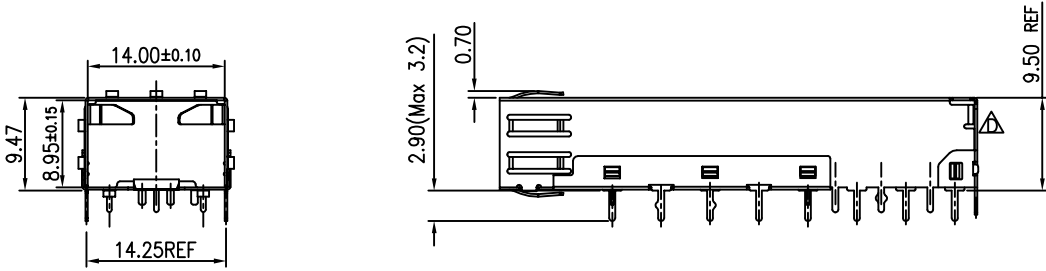
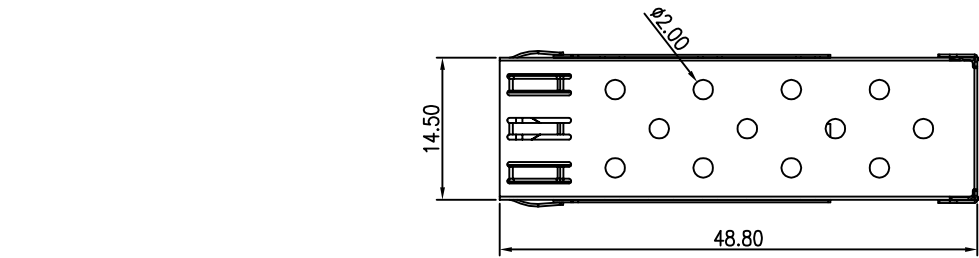


Customer drawings

REV.	ECN NO.	DATE
A	FIRST ISSUE	20130116
B	CHANGE PLATING SPEC.	20130221
C	ADD NEW P/N	20130427
D	Updated drawings	20131220
E	Updated drawings	20140722



NOTE:
 1, DESCRIPTION Q'ty MATERIAL
 01 SFP TOP CAGE 1PCS COPPER ALLOY
 02 SFP BOTTOM CAGE (Non-Logo) 1PCS COPPER ALLOY
 2, TEMPERATURE:
 OPERATION: -40°C~+85°C
 STORAGE: -55°C~+105°C
 3, WAVE SOLDERING TEMPERATURE:
 LEAD-FREE: 250°C~265°C; TIN-LEAD: 220°C~240°C
 DWELL TIME: 3S~5S

YF PART NUMBER	YF PART NUMBER	DESCRIPTION	PLATING
10700311W002	K869-00-Y002	SFP 1X1 CAGE (Solder) W/ CZT LOGO	NA
10700311W004	K869-00-Y014	SFP 1X1 CAGE (Solder) W/O CZT LOGO	NA
10700311W013	无	SFP 1X1 CAGE (Solder) W/ CZT LOGO	Ni FOR ALL
10700311W014	无	SFP 1X1 CAGE (Solder) W/O CZT LOGO	Ni FOR ALL

RoHS Compliant

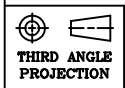
CZT 意华接插件股份有限公司
 YIHUA COMMUNICATED CONNECTOR CO.,LTD.

TOLERANCES
 .0 ± 0.25
 .00 ± 0.20
 .000 ± 0.15
 ANGLES ± 0.5

Material: SEE NOTE
 Finish: N/A
 SHEET 1 OF 2

Designed: 李斌
 Checked: 胡园园
 Approved: 蔡社民

NAME: SFP 1X1 CAGE Solder
 DWG NO: ESFP-002-01-C
 PART NO: SEE NOTE
 REV. E



A4
 SIZE

SCALE
 1:1

UNIT
 mm

CUSTOMER: N/A
 MODEL NO: N/A

1

2

3

4