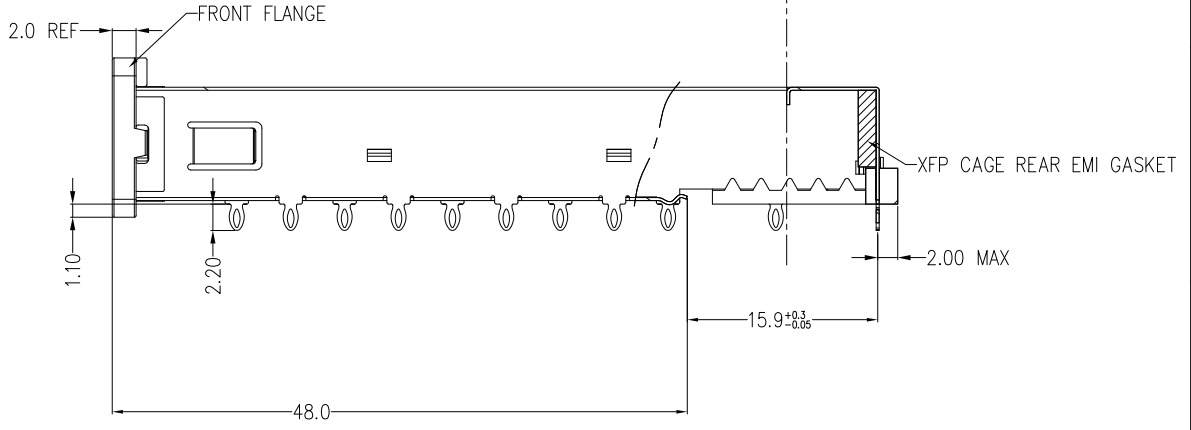
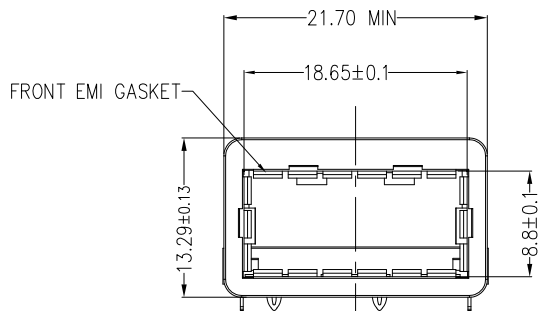
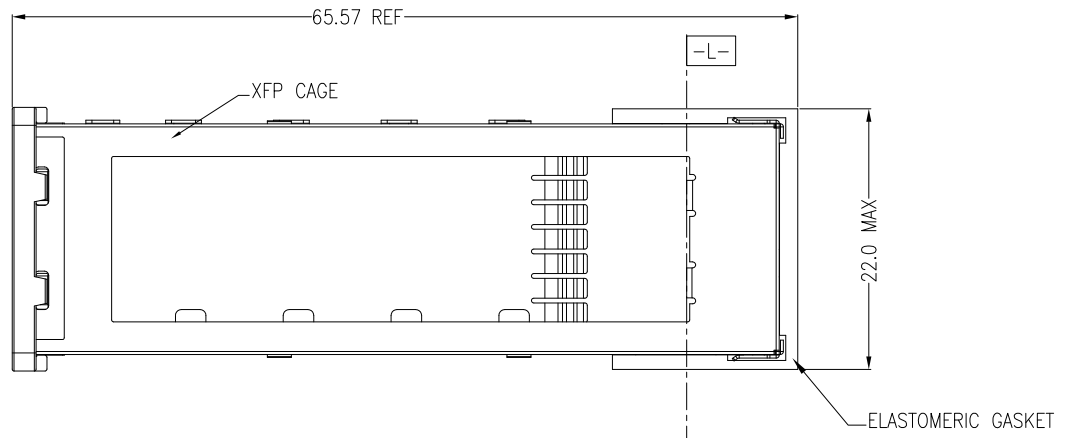
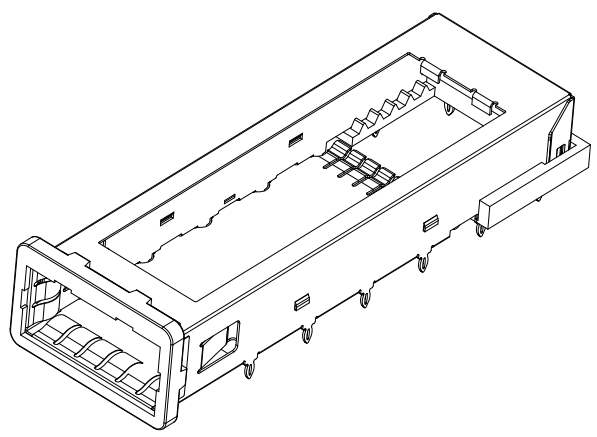


REV.	CHANGE CONTENT	DATE
A	初版发行	2014.08.25



NOTE:
MATERIAL:
1. XFP CAGE: COPPER ALLOY T=0.25mm.
2. ELASTOMERIC GASKET: CONDUCTIVE RUBBER.
3. XFP CAGE REAR EMI GASKET: CONDUCTIVE FOAM.
4. FRONT FLANGE: ZINC ALLOY.
5. FRONT EMI GASKET: COPPER ALLOY.
PLATED:
1. FRONT FLANGE : TIN OVER NICKEL AND COPPER FLASH
2. FRONT EMI GASKET: 1.27 MICROMETERS MINIMUM MATTE TIN OVER 1.27 MICROMETERS MINIMUM NICKEL FOR ALL.
MECHANICAL REQUIREMENT:
1. DURABILITY: 100 CYCLES MIN.
2. INSERTION AND EXTRACTION FORCE: 40N MAX & 30N MAX

RoHS Compliant

意华接插件股份有限公司 YIHUA COMMUNICATED CONNECTOR CO.,LTD.	TOLERANCES		Material: SEE NOTES	Designed: 王帅	NAME: XFP 1*1 CAGE	
	.0 ± 0.25 .00 ± 0.20 .000 ± 0.10		Finish: N/A	Checked:	DWG NO: ESFP13050201	REV.
	ANGLES ± 0.5		SHEET 1 OF 3	Approved:	PART NO: 10725111W001	A

THIRD ANGLE PROJECTION

A4 SIZE

SCALE 1:1

UNIT mm

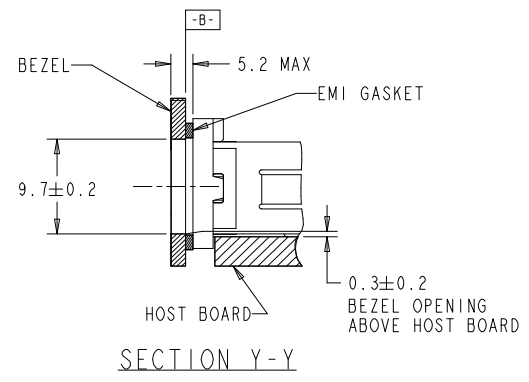
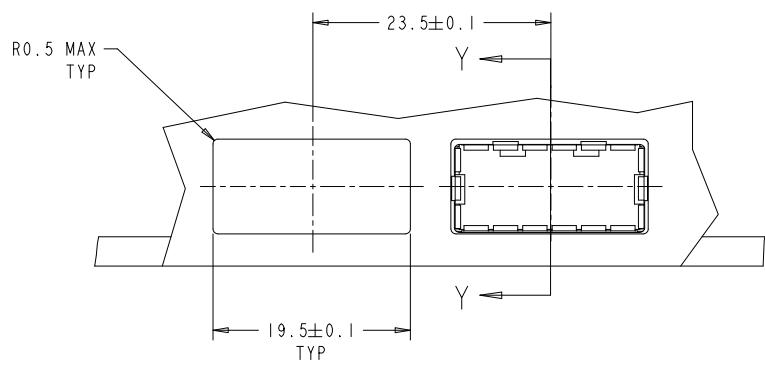
CUSTOMER: N/A
MODEL NO: N/A

1 2 3 4 5 6 7 8

1 2 3 4 5 6 7 8

REV.	CHANGE CONTENT	DATE
A	初版发行	2014.08.25

A

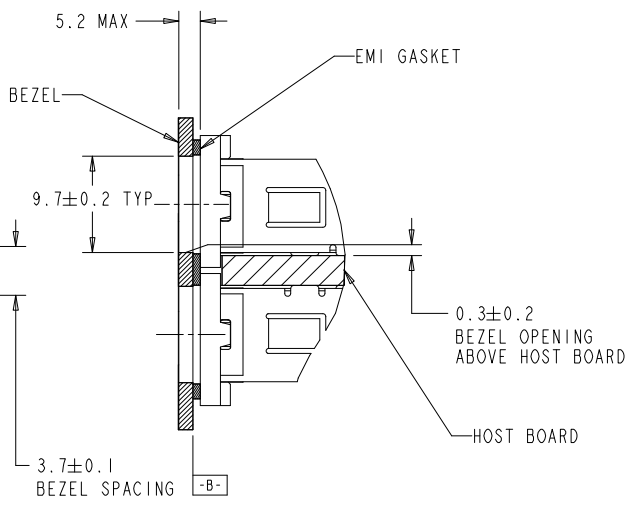
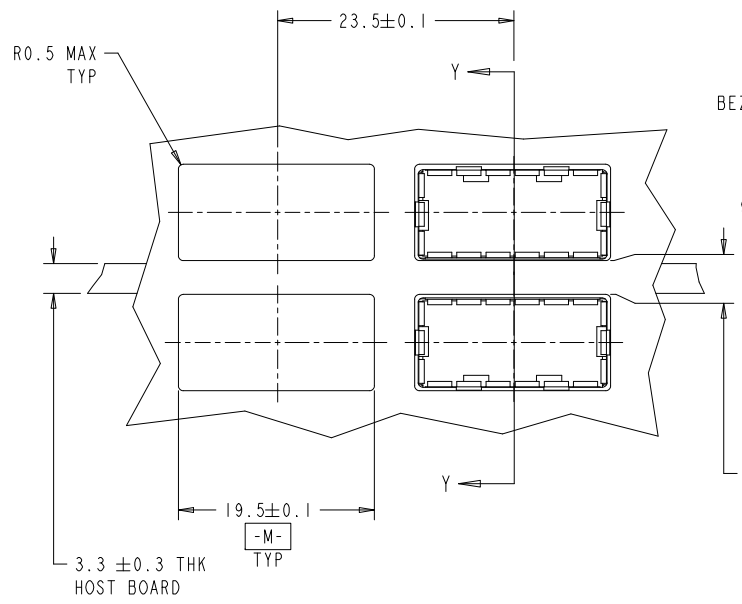


Recommended Single Sided Bezel Design

SECTION Y-Y

B

C



Recommended Double Sided Mounting Bezel Design

SECTION Y-Y

D

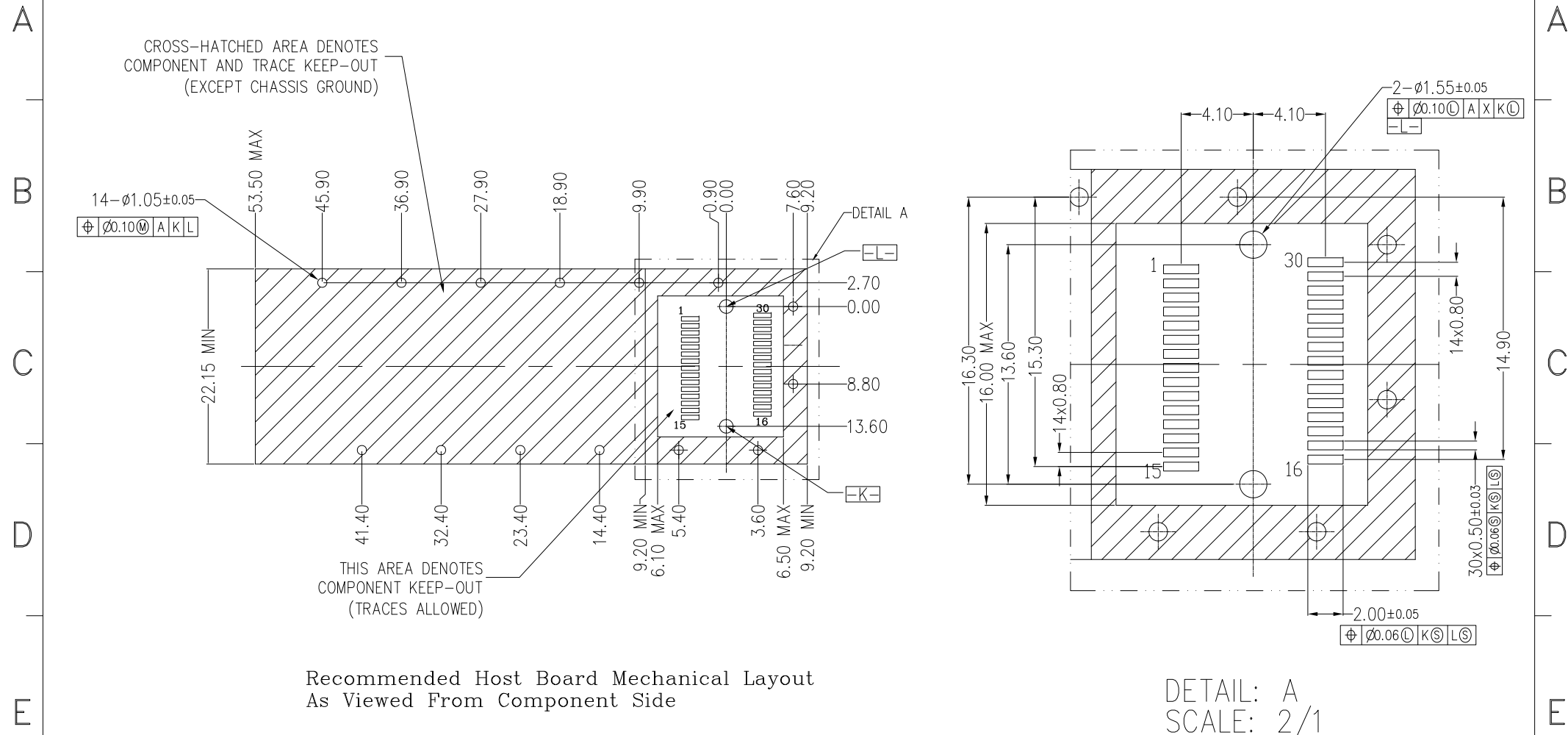
E

RoHS Compliant

<p>THIRD ANGLE PROJECTION</p>	<p>A4 SIZE</p>	SCALE	UNIT	CUSTOMER: N/A	TOLERANCES	Material: SEE NOTES	Designed: 王帅	NAME: XFP 1*1 CAGE	
		1:1	mm	MODEL NO: N/A	.0 ± 0.25 .00 ± 0.20 .000 ± 0.10	Finish: N/A	Checked:	DWG NO: ESFP13050201	REV.
				ANGLES ± 0.5		SHEET 2 OF 3	Approved:	PART NO: 10725111W001	A

1 2 3 4 5 6 7 8

REV.	CHANGE CONTENT	DATE
A	初版发行	2014.08.25



Recommended Host Board Mechanical Layout
As Viewed From Component Side

DETAIL: A
SCALE: 2/1

RoHS Compliant

 意华接插件股份有限公司 YIHUA COMMUNICATED CONNECTOR CO.,LTD.	TOLERANCES			Material: SEE NOTES	Designed: 王帅	NAME: XFP 1*1 CAGE	
	.0 ± 0.25 .00 ± 0.20 .000 ± 0.10			Finish: N/A	Checked:	DWG NO: ESFP13050201	
	ANGLES ± 0.5			SHEET 3 OF 3	Approved:	PART NO: 10725111W001	
 THIRD ANGLE PROJECTION	A4 SIZE	SCALE 1:1	UNIT mm	CUSTOMER: N/A MODEL NO: N/A			REV. A