

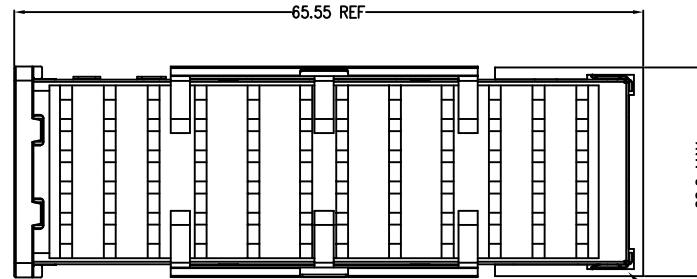
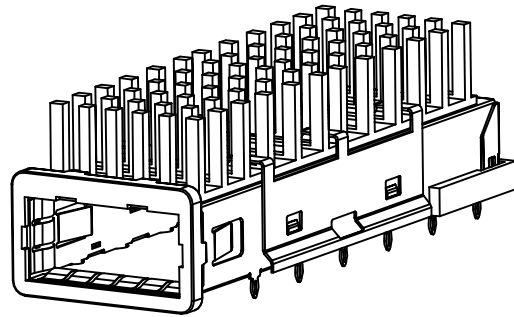
1

2

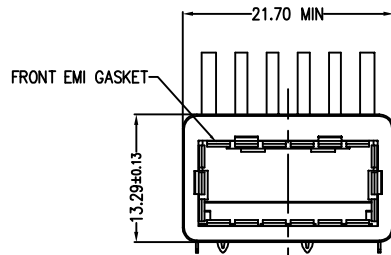
3

4

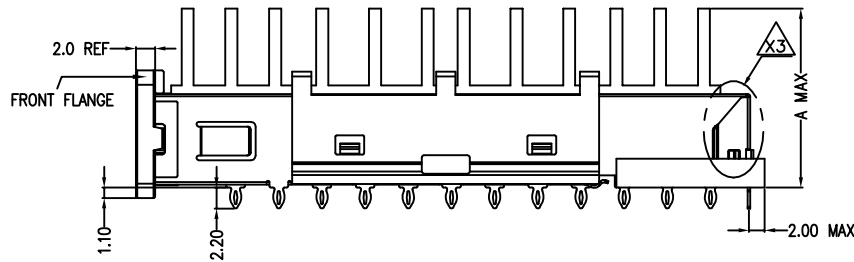
REV.	CHANGE CONTENT	DATE
X3	UPDATE DRAWING FOR CHANGING APPEARANCE	20141017



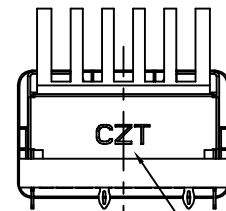
ELASTOMERIC GASKET



FRONT EMI GASKET



FRONT FLANGE



CZT

LOGO(OPTION)

NOTE:

- MATERIAL:
1. XFP CAGE: COPPER ALLOY C7701 T=0.25mm.
 2. ELASTOMERIC GASKET: CONDUCTIVE RUBBER.
 3. XFP CAGE REAR EMI GASKET: CONDUCTIVE FOAM.
 4. FRONT FLANGE: ZINC ALLOY.
 5. FRONT EMI GASKET: COPPER ALLOY.
 6. XFP HEAT SINK CLIP: COPPER ALLOY C7701 T=0.25mm.
 7. XFP HEAT SINK: ALUMINUM, ANODIZED BLACK

- PLATED:
1. FRONT FLANGE : TIN OVER NICKEL AND COPPER FLASH
 2. FRONT EMI GASKET: 1.27 MICROMETERS MINIMUM MATTE TIN OVER 1.27 MICROMETERS MINIMUM NICKEL FOR ALL.

- MECHANICAL REQUIREMENT:
1. DURABILITY: 100 CYCLES MIN.
 2. INSERTION AND EXTRACTION FORCE: 40N MAX & 30N MAX

RoHS Compliant

10725111W006	18.65	XFP 1*1 CAGE WITH HEATSINK	W/O CZT
10725111W007	15.15	XFP 1*1 CAGE WITH HEATSINK	W/O CZT
10725111W008	12.85	XFP 1*1 CAGE WITH HEATSINK	W/O CZT
10725111W003	18.65	XFP 1*1 CAGE WITH HEATSINK	W/CZT
10725111W004	15.15	XFP 1*1 CAGE WITH HEATSINK	W/CZT
10725111W005	12.85	XFP 1*1 CAGE WITH HEATSINK	W/CZT
PART NUMBER	DIMENSION A	DESCRIPTION	CZT LOGO

CZT® 意华接插件股份有限公司 YIHUA COMMUNICATED CONNECTOR CO.,LTD.	TOLERANCES		Material: SEE NOTE		Designed: 王帅		NAME: XFP 1*1 CAGE WITH HEATSINK	
	.0 ± 0.25		Finish: SEE NOTE		Checked:		DWG NO: ESFP13091101-C	
	.00 ± 0.20		SHEET 1 OF 2		Approved:		PART NO: SEE TABLE	
.000 ± 0.10		ANGLES ± 0.5				REV. X3		

THIRD ANGLE PROJECTION

A4 SIZE

SCALE 1:1

UNIT mm

CUSTOMER: N/A
MODEL NO: N/A

ANGLES ± 0.5

SHEET 1 OF 2

Approved:

PART NO: SEE TABLE

REV. X3

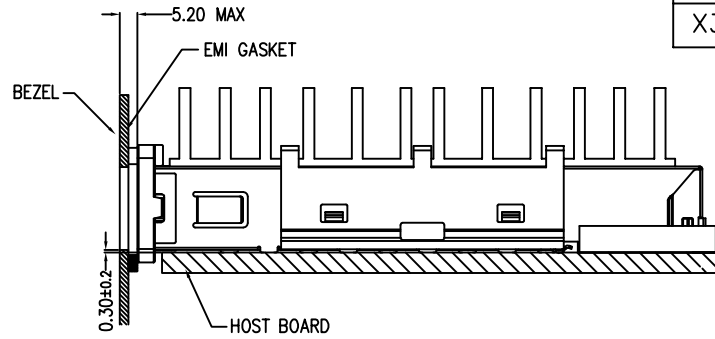
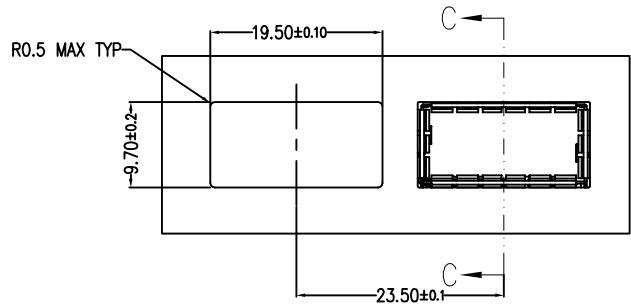
1

2

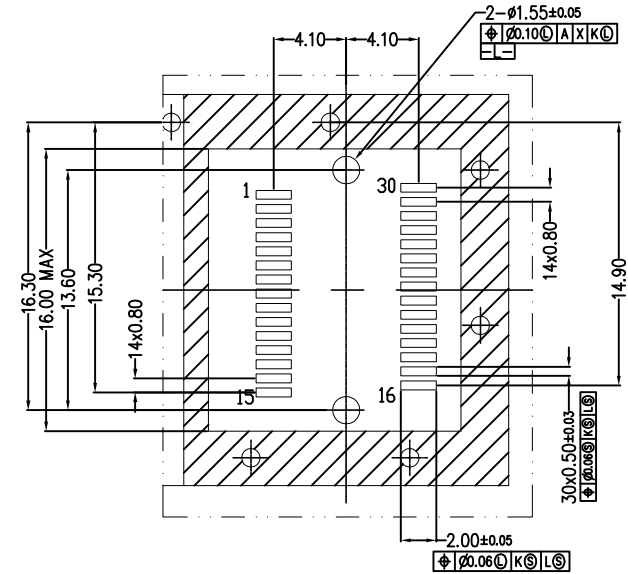
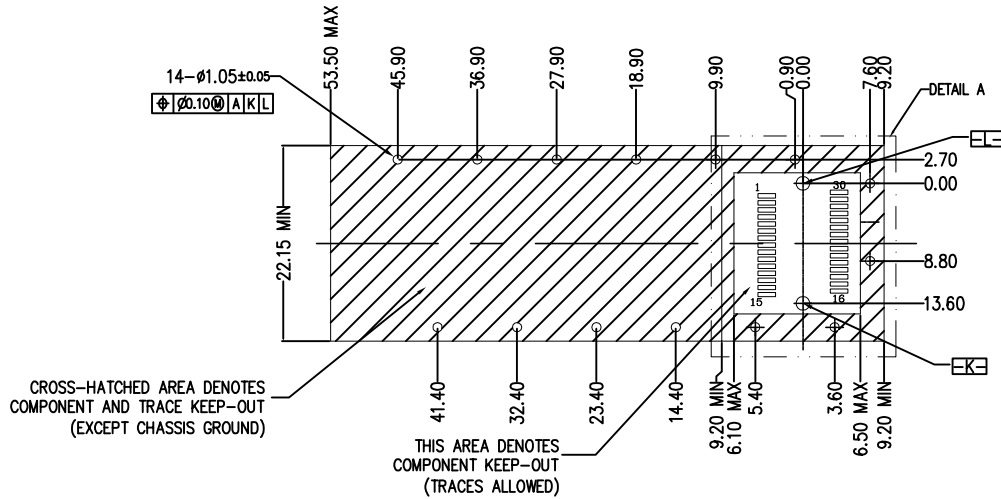
3

4

REV.	CHANGE CONTENT	DATE
X3	UPDATE DRAWING FOR CHANGING APPEARANCE	20141017



SECTION C-C



DETAIL: A
SCALE: 2/1

RoHS Compliant

CZT® 意华接插件股份有限公司 YIHUA COMMUNICATED CONNECTOR CO.,LTD.				TOLERANCES .0 ± 0.25 .00 ± 0.20 .000 ± 0.10 ANGLES ± 0.5		Material: SEE NOTE Finish: SEE NOTE SHEET 2 OF 2		Designed: 王帅 Checked: Approved:		NAME: XFP 1*1 CAGE WITH HEATSINK DWG NO: ESFP13091101-C PART NO: SEE TABLE		REV. X3
 THIRD ANGLE PROJECTION	A4 SIZE	SCALE 1:1	UNIT mm	CUSTOMER: N/A MODEL NO: N/A								